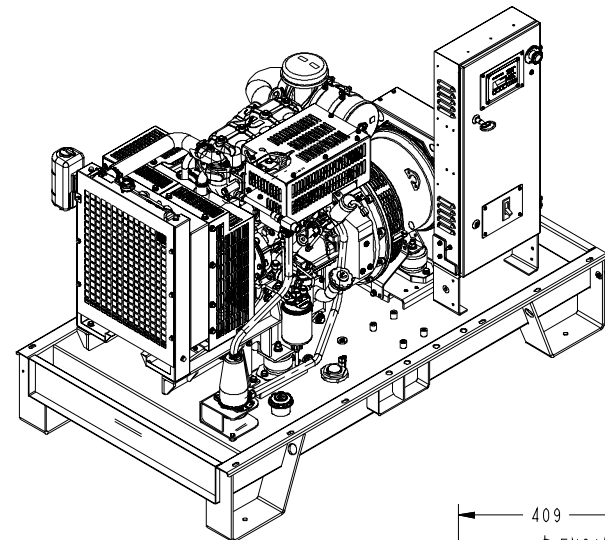


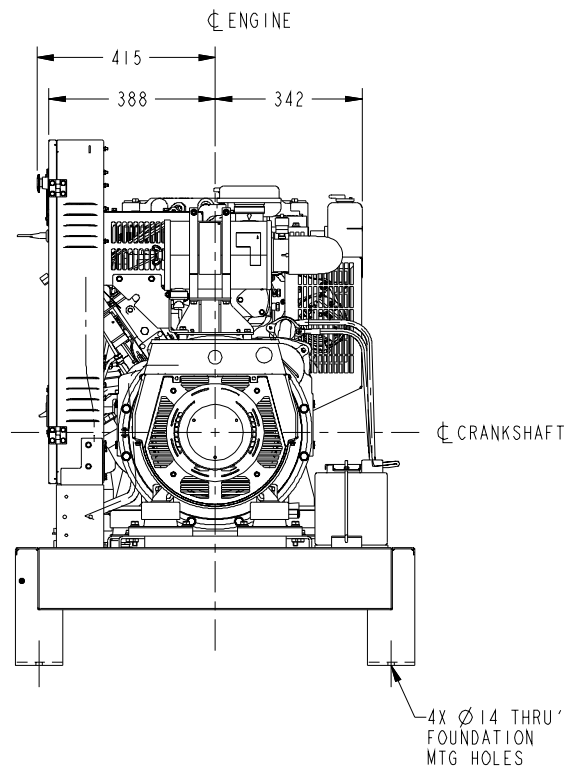
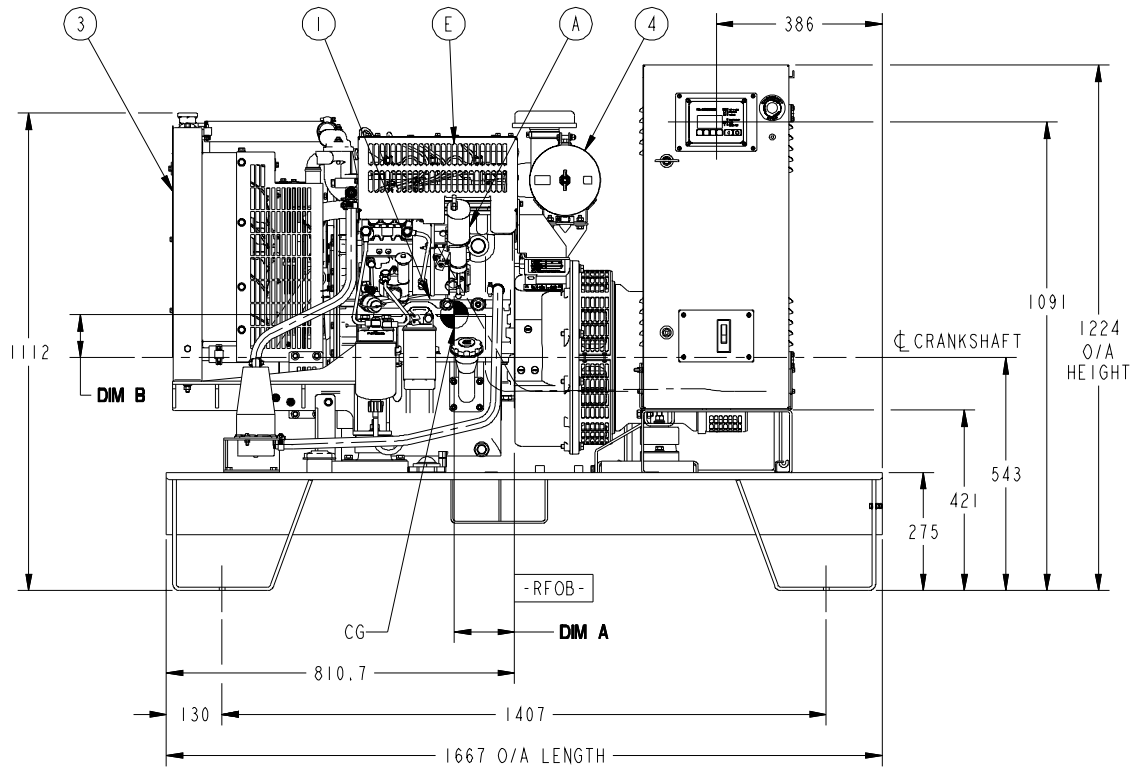
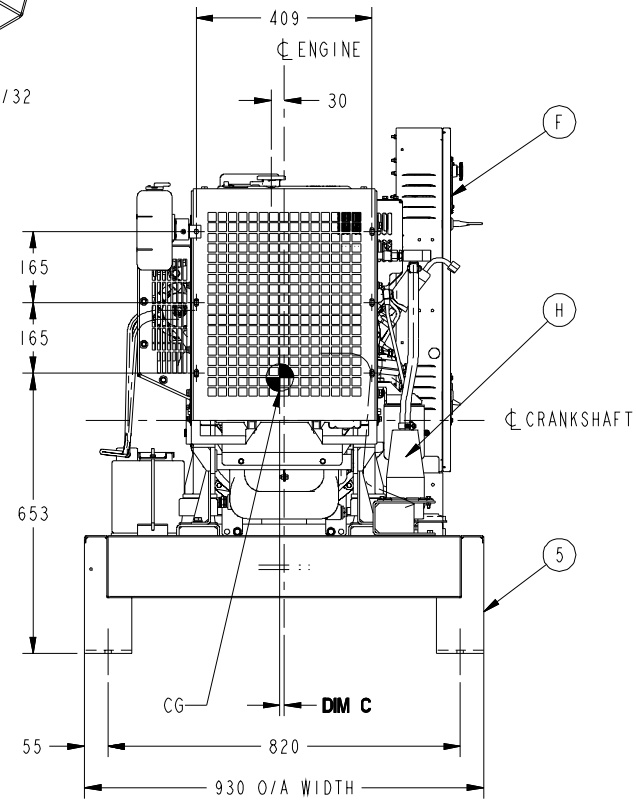
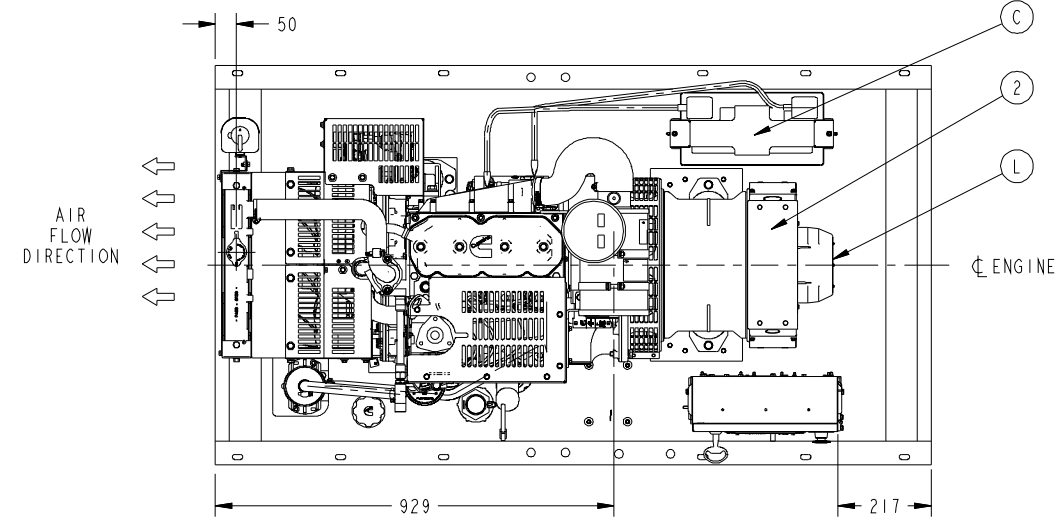
REL NO	LTR	NO	REVISION	ZONE	DWN	CKD	APVD	DATE
ER574942	A	1	PRODUCTION_RELEASE	-	MB	PH	MEHTA	03JUL09

NOTES:

- VIEWS SHOWING STANDARD BASE TANK & P O H ALTERNATOR.
- FUEL TANK VOLUME 155 LTRS.
- CUSTOMER LOAD CABLES TO BE FLEXIBLE TO ALLOW MOVEMENTS OF GENSET ON ANTI-VIBRATION MOUNTS.



SCALE 3/32



AVAILABLE OPTIONS
(NOT SHOWN UNLESS STATED)

ITEM	DESCRIPTION
A	SOLENOID COIL (SHOWN)
B	ACTUATOR
C	BATTERY (SHOWN)
D	MUFFLER
E	EXHAUST GUARD (SHOWN)
F	CONTROL PANEL PCC 1302 (SHOWN)
G	CONTROL PANEL PS 0500
H	COOLANT HEATER (SHOWN)
J	LUB OIL HEATER
K	ALTERNATOR SPACE HEATER
L	EBS (SHOWN)
M	FUEL SYSTEM (3 WAY VALVE)

ENGINE	ALTERNATOR	GENSET DRY WEIGHT (Kg)	GENSET WET WEIGHT (Kg)	GENSET WET WEIGHT+FUEL (Kg)	CG LOCATION		
					DIM A	DIM B	DIM C
X2.5	P O G	509	523	655	140	100	10
X2.5	P O H	520	534	666	125	90	10

ITEM	PART NO	DESCRIPTION OR MATERIAL
1	5	-- SKID ASSY
1	4	-- AIR CLEANER
1	3	-- COOLING SYSTEM
1	2	-- ALTERNATOR (CGT)
1	1	-- ENGINE (X2.5)

UNLESS OTHERWISE SPECIFIED, ALL DIMENSIONS ARE IN MILLIMETERS

DIM	X ± 1	0.00 - 4.99 +0.15/-0.08
	.X ± 0.8	5.00 - 9.99 +0.20/-0.10
	.XX ± 0.5	10.00 - 17.49 +0.25/-0.13
	.XX ± 0.38	17.50 - 24.99 +0.30/-0.13

ANG TOL: ± 1.0° SCALE: 1/8

DO NOT SCALE PRINT

CONFIDENTIAL - PROPERTY OF CUMMINS POWER GENERATION GROUP

FOR INTERPRETATION FIRST USED ON OF DIMENSIONING AND TOLERANCING, SEE ASME Y12.5M-1994 X INTL SPEC

DWN: M.BABUDE
CKD: P.HANDE
APVD: A.MEHTA
DATE: 03JUL09

Cummins India Limited
Registered Office: Kothrud, Pune 411038 (India)

GENSET OUTLINE
X2.5, PO

SHEET 1 of 1

PROJ/ENGINEER